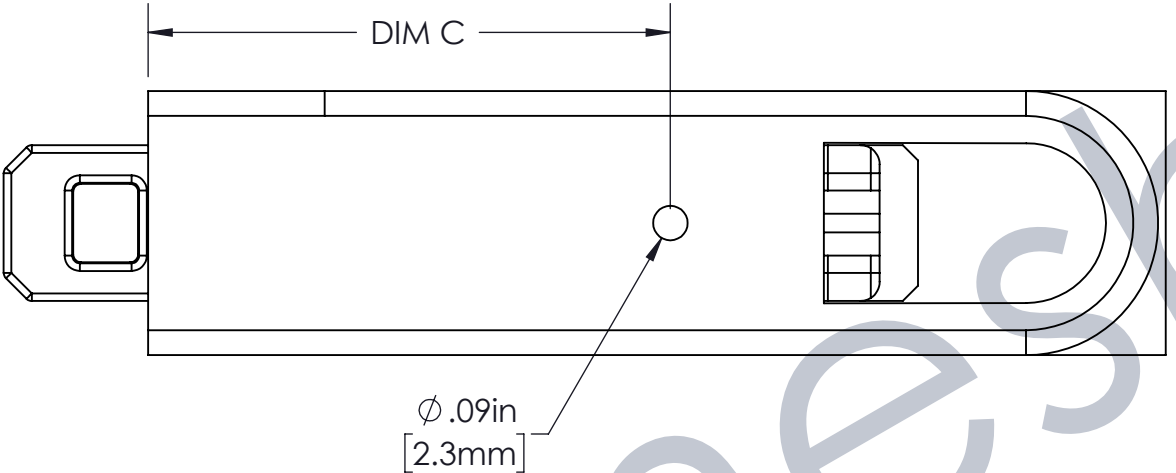
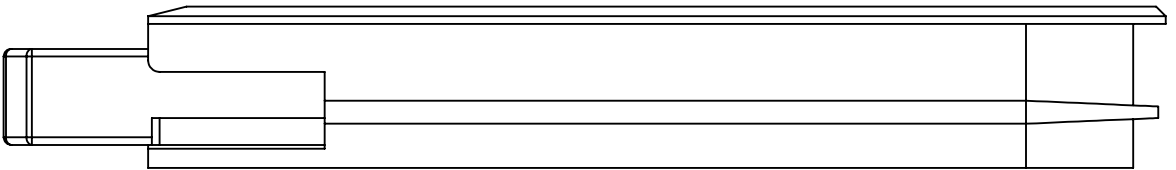
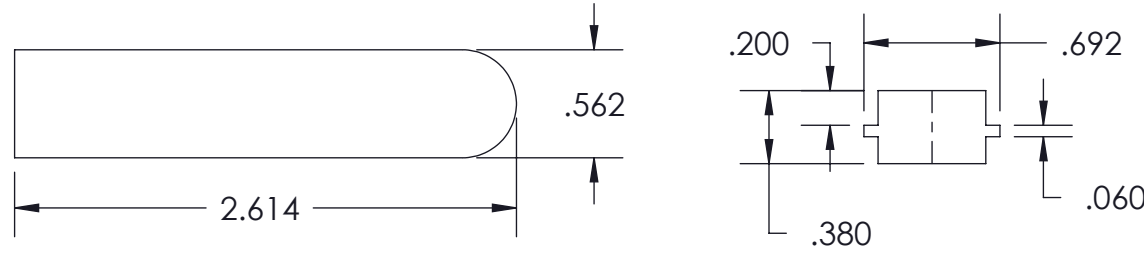


LH PART NO	RH PART NO	DIM A	DIM B	DIM C	THUMB BUTTON	NOSE
14501		.203	.375	1.360	NONE	SMALL



SMALL NOSE FABRICATION



CUSTOMER PAGE

<p>Amesbury Truth Engineered Solutions. Trusted Results.</p> <p>THE INFORMATION CONTAINED IN THIS DRAWING IS CONFIDENTIAL AND PROPRIETARY. THIS DRAWING IS NOT TO BE COPIED OR REPRODUCED IN WHOLE OR IN PART WITHOUT EXPRESS WRITTEN PERMISSION.</p>	<p>INTERPRET PER: ASME Y14.5M-2009</p> <p>UNITS: INCH</p>	<p>DRAWING TITLE: WOOD_SQUARE BODY_BLUNT NOSE</p>
	<p>THIRD ANGLE PROJECTION</p>	<p>SCALE: 2:1</p> <p>DRAWING #:</p>